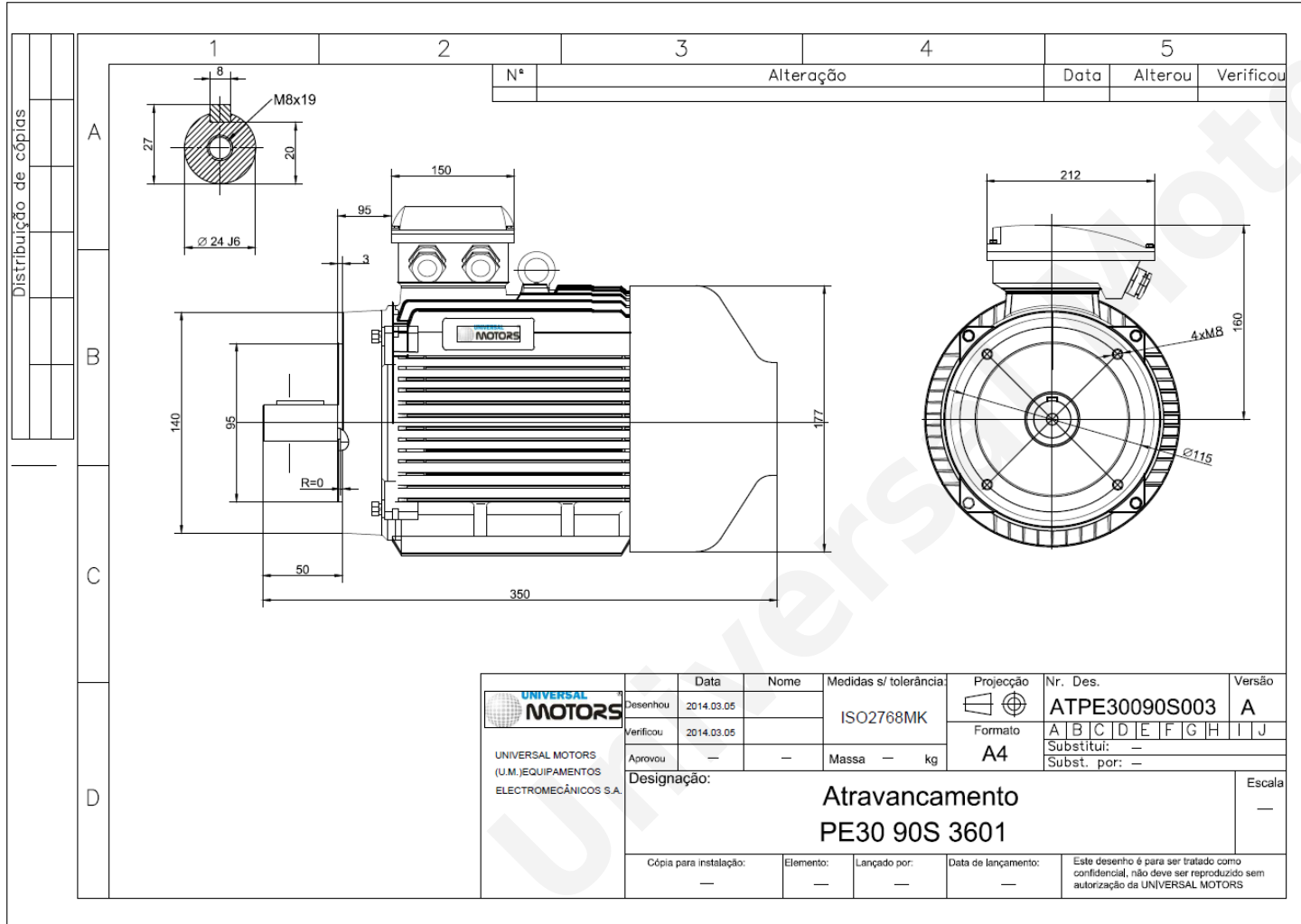


TECHNICAL DATA

Three Phase Electric Motors - Cast Iron Frame
 PE30 90 S 4 IE3
 1.1 kW / 1.5 Cv
 1440 RPM



Motor type: **PE30 90 S 4 IE3**
 Output: **1.1 kW / 1.5 Cv**
 Speed (min⁻¹): **1440 RPM**
 Frequency: **50 Hz**
 Voltage: **400 V**
 Current: **2.48 A**
 Power factor (Cos Ø): **0.76**
 Poles: **4**
 Insulation class: **F**
 Temperature rise Class: **B**
 Efficiency 50%: **83.0 %**
 Efficiency 75%: **84.9 %**
 Efficiency 100%: **84.6 %**
 Torque: **7.3 N.m**
 Tstarting/Tnominal: **2.3**
 Istarting/Inominal: **6.8**
 Tmaximum/Tnominal: **2.3**
 Noise: **50 Db(A)**
 Weight: **26 Kg**
 Bearing DE: **6205 2Z C3**
 Bearing NDE: **6205 2Z C3**

Regime - S1

Altitude - 1000m

Environment Temperature - 40°C

CONTACTS:

UNIVERSAL MOTORS Tel: +351 252 299 080
 Rua de São Brás,745 Fax: +351 252 299 089
 4480-782 VILA DO CONDE Mail: geral@universalmotors.pt

* References applied only in the UK